

Culligan®

# C7 Firewall®

High end bottle-free water dispenser with excellent purifying performance and stylish design, providing a superior user experience.

Designed to perform in demanding environments, this touch-free dispenser provides up to five water varieties, including large volumes of highly purified ice-cold still and sparkling water. The C7 Firewall® can cater for many sectors, from office to healthcare. Firewall UVC purification, high-tech user interface, built in self-diagnostic, and a sleek, ergonomically optimised design makes the C7 Firewall the top-of-the-range Culligan premium offer.



-  Purification
-  State-of-the art user experience
-  Energy saving
-  High performance

# Product features and benefits



## Sustainability & design



**Energy saving sleep mode** is programmed to turn off the heater after three hours of inactivity, yielding significant energy savings when unit is not in use.

**Eco-friendly refrigeration** using R600a: naturally occurring refrigerant gas with low GWP (Global Warming Potential) and zero ODP (Ozone Depletion Potential).

The on-screen **bottle saver feature** tracks the positive impact on the environment by counting the total number of 500 ml single-use plastic bottles saved.



## Performance

The Ice Bath water cooling system offers a consistently cold water output, delivering high volumes of still and sparkling water at near freezing temperature (**up to 17l/h**).



The C7 Firewall plastic surfaces are integrated with **BioCote® product protection technology**, a silver ion additive able to inhibit microbial growth on the product's surfaces.

**Sparkling system** engineered to deliver high quality ice-cold carbonated water, comparable to even the finest bottled water.



## Ease of use

User interface with full colour **LCD display** featuring machine status bar and up to **five water dispensing options**, is designed to offer the best-in-class user experience.

**Leak prevention system** automatically cuts off the water supply, reducing the risk of accidents.

Backlit waterfall vertical indicator for accurate vessel positioning.

The 273 mm **dispensing gap** can accommodate a variety of vessels, including reusable bottles.

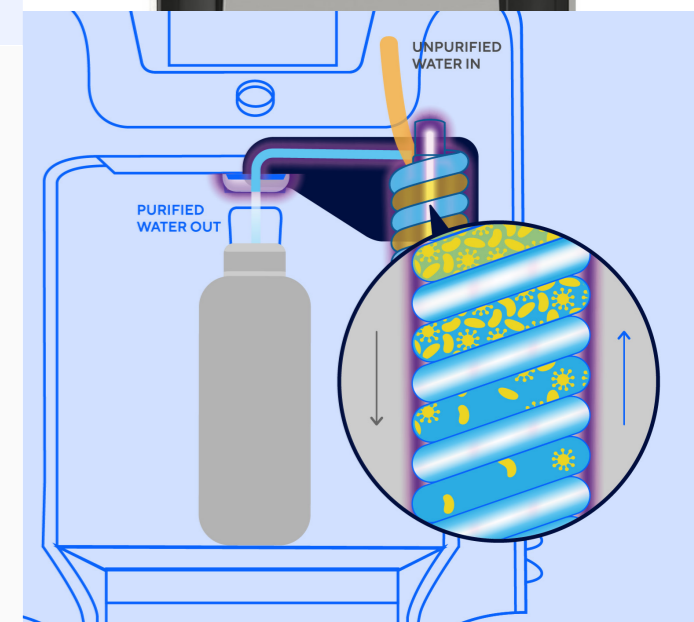
**Lockable base cabinet** converts the unit from countertop to freestanding and offers additional storage space.



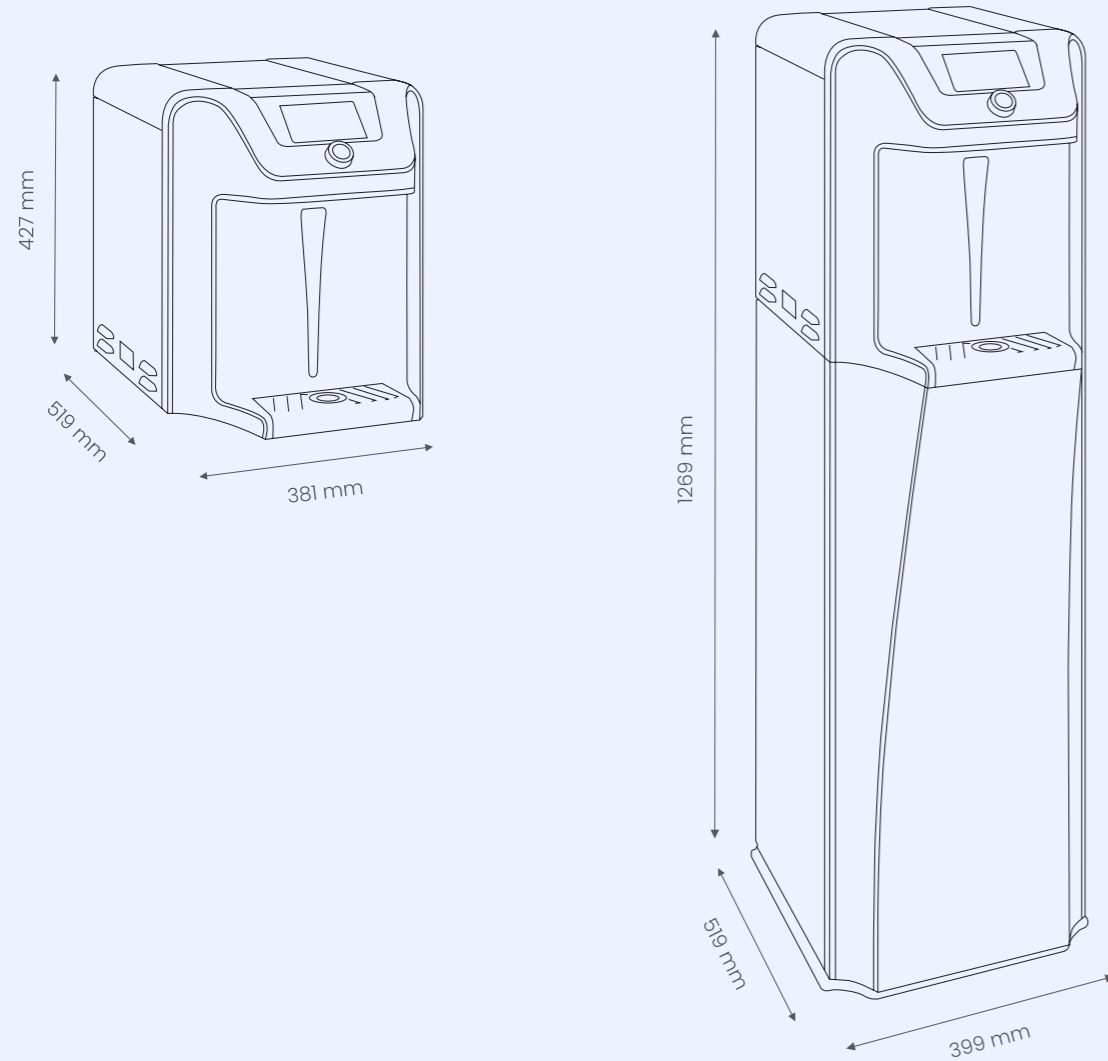
## Purification technology

**Carbon filtration** removes impurities and effectively targets colour, taste and odour, for great tasting, crystal-clear and superior quality water.

Patented and certified **Firewall UVC purification system** thoroughly purifies the water all the way through to the point of dispense, deactivating pathogens for microbiologically safe water. Guaranteed free from: **up to 99.9999% bacteria, 99.99% viruses and 99.9% cysts.**



## Technical specifications



## Water options

	cold	sparkling	ambient	hot	extra hot
C+A+S+H+E					
C+A+S					
C+A+H					

Types available	Countertop and freestanding (countertop with base cabinet)
Dimensions	381 mm (W) x 427 mm (H) x 519 mm (D) Freestanding 399 mm (W) x 1269 mm (H) x 519 mm (D)
Weight	33.3 Kg (countertop) 20 Kg (base cabinet)
Water purification system	Firewall® UVC technology
Recommended filtration*	Carbon CBC
Dispensing area height	273 mm
Drip tray capacity	440 ml
Max dispensing flow rate	1.6 lpm (litres per minute)
Dispensing capacity (cold only)	Up to 17 L/h below 8°C
Dispensing capacity (cold & sparkling)	Sparkling: Up to 14 L/h below 8°C Cold: Up to 15 L/h below 8°C
Cooling technology	Ice Bath
Ice Bath capacity	Cold only: 4.5 litres Cold and sparkling: 3.8 litres
Hot water storage capacity	1.5 litre
Power supply	220~240 V/50 Hz
Compressor	110 W
Refrigerant gas	R600a
Min/max water temperature	Cold: default 5°C Hot: default 87°C Extra hot: default 93°C

## Contact us today

www.culligan.ie  
+353 1466 0133  
sales@culligan.ie

## Tested and certified



Firewall technology is certified by IAPMO R&T to NSF/ANSI 55 Class A, NSF P231, US EPA Microbiological Guide Standard, NSF/ANSI 372 and CSA B483.1.

