

Zip HydroTap Touch-Free Wave

FILTERED: **BOILING**

With an increased consideration around hygiene in the workplace, the new Zip HydroTap Touch Free Wave uses smart infrared sensors to provide a 100% touch-free, safe to use solution for workplaces to access instant boiling drinking water with a simple wave of the hand. A reliable solution for a range of locations, the tap boasts a number of safety features to prevent the accidental dispense of water. Like all our other HydroTaps, the Touch Free Wave offers cutting-edge technology to conserve water, energy and time, with market-leading 0.2 micron filtration – 25 times more effective than a standard water filter jug.



Actual product may vary slightly depending on functionality.
The image shown is a representation only.

STANDARD



| MODEL | MIXED HOT AND COLD | FILTRATION 0.2 MICRON | FONT | CO ₂ | NOMINAL POWER RATING KW | COMMAND CENTRE DIMENSIONS W X D X H |
|-------------|-----------------------|--------------------------|------|-----------------|----------------------------|---|
| H5W706Z00UK | N | Y | Y | N | 1.9 kW @ 230V AC | 280mm x 313mm x 333mm |

For details of the accessories please see the 'Accessories' section

Features and benefits

Advanced filtration

Zip MicroPurity™ filters remove particles larger than 0.2 micron, such as dirt, lead and microplastics, as well as 97% of chlorine and 99.9% of microbiological cysts, providing pure-tasting drinking water.

Environmentally conscious operation

The HydroTap boasts a range of eco-friendly functionalities, including water conserving air cooling technology, the use of zero-impact refrigerant gas R290 and energy saving sleep modes.

Unique user-safety options

The Zip HydroTap is designed with safety in mind, with boiling isolation, cool touch tap and safety lock features. The boiling point is factory set to 98 degrees celsius, to avoid spluttering steam.

Enhanced hygiene

The 5th generation HydroTap command centre has SteriTouch® embedded throughout the water path. This reduces surface bacteria by 99.99% providing extra protection.

Product detail

Specification type

| | |
|--------------|--|
| Product code | H5W706Z00UK |
| Product name | HydroTap G5 Touch Free Wave boiling 160 bright chrome for work |

Capacity, weights & dimensions

| | |
|-------------------------------|-----------------------|
| Water functions | Boiling |
| Boiling capacity | 160 Cups per hour |
| Unit dimension (W x D x H) | 280mm x 313mm x 333mm |
| Product weight - empty / full | 11kg / 14kg |

Plumbing

| | |
|---------------------------------------|--|
| Wholesome water inlet supply required | Cold Feed |
| Supply pressure range | 1.7bar - 5bar |
| Supply connection (hot & cold) | 1 x isolated 1/2" BSP BSP fitting (flexible supply hoses included) |
| Installation | Must comply with current water supply regulations |

The minimum water pressure will vary if a limescale filter is installed. Please contact us to discuss your requirements.

Electrical

| | |
|-----------------------------|--|
| Command centre power rating | 1.9 kW @ 230V AC |
| Voltage supply | 13 amps |
| Power supply requirements | 1 x 13amp socket outlet |
| Cable length | 1.8m fitted with UK standard 3-pin plug |
| Installation | Must comply with current IEE regulations |

Tap design

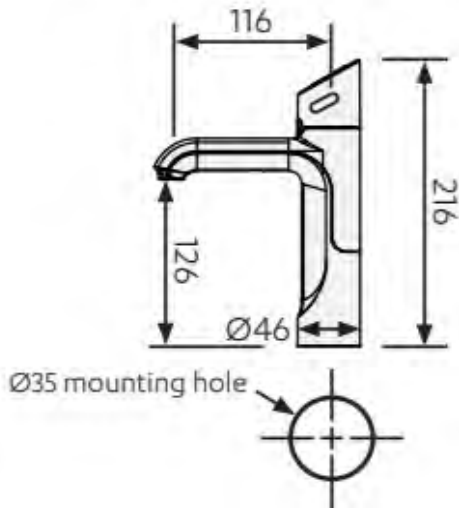
| | |
|----------------------------|--------------------------|
| Style | HydroTap Touch-Free Wave |
| Finish | Bright Chrome |
| Installation hole cut size | 35mm |
| Rotation | Fixed |
| Disability options | No |
| Country of Origin | Australia |

Command centre

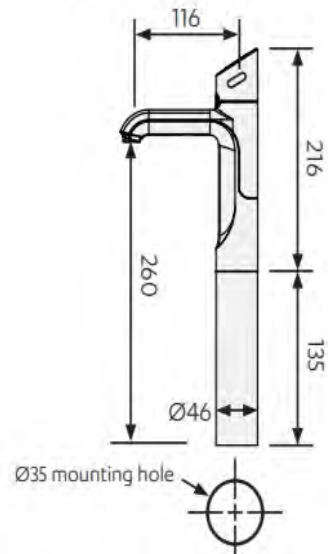
| | |
|-------------------------------------|-----------------------------|
| Factory temperature boiling | 98°C |
| Filtration | 0.2 Micron Filter Cartridge |
| Flow rate | 4 l/min |
| Wholesome water supply requirements | Cold Feed |
| Tank material | Stainless Steel |
| Country of origin | Australia |

Tap installation

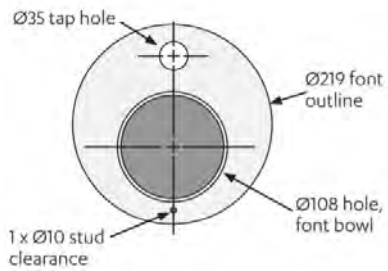
Wave



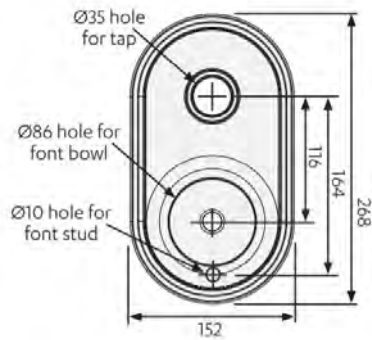
Wave + extension



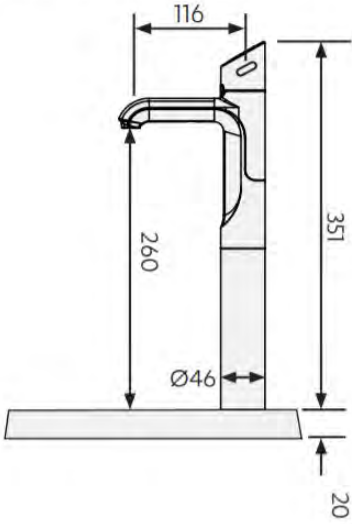
Integrated font



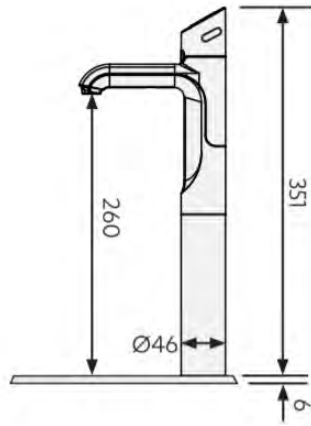
Raised Font



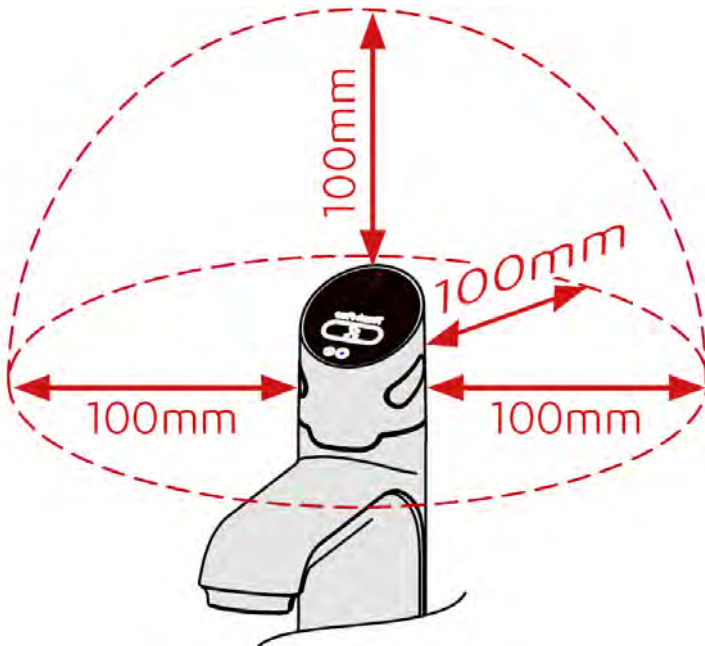
Wave on Raised font



Wave on Classic font

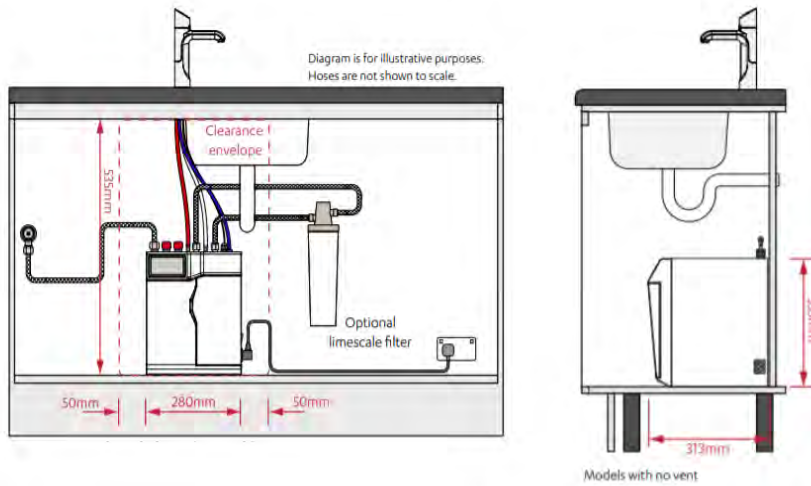


Tap Clearance









Under-counter unit installation

Clearance space required
for under counter unit



Accessories

Visit specify.zipwater.co.uk to find out more information about Zip HydroTap Touch-Free Wave Accessories

| Image | SKU | Title |
|---|------------|---|
|  | 95258UK | Bright chrome G5 raised font kit |
|  | FL500 KIT | Limescale prevention filter kit 3,750 litres |
|  | FL1000 KIT | Limescale prevention filter kit 7,000 litres |
|  | FL1500 KIT | Limescale prevention filter kit 10,000 litres |
|  | FL2000 KIT | Limescale prevention filter kit 16,500 litres |
|  | 91295 | CO2 Replacement cylinders 2 x 1.2kg |