

Culligan™

PUREZZA™
PREMIUM WATER

Mains-Fed Water Cooler
Countertop

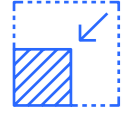
Aquabar MT

Professional water dispensers that efficiently address the demand for high volumes of cold, ambient and sparkling water

- Elegant yet functional design in a powerful dispenser suitable for any HORECA environment.
- Designed and made in Italy with high quality materials.
- Mechanical taps for simple manual dispensing.



Product features and benefits



Modern, stylish design

Designed and made in Italy, built with high-quality stainless steel for better look and durability.

Equipped with traditional mechanical taps for manual dispensing.

Adjustable drip tray height to easily fill different sized bottles and carafes.

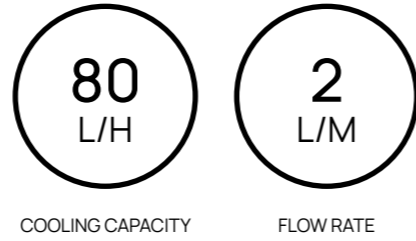
Drip tray with grid to collect accidental spillage.



Easy operations and powerful performance

Dispensing up to 80 litres per hour to cater for high volumes of cold, ambient and sparkling water, even at peak times.

Practical dispense point allow three vessels to be filled at the same time helping speeding up service at peak times.



Efficient and sustainable technology

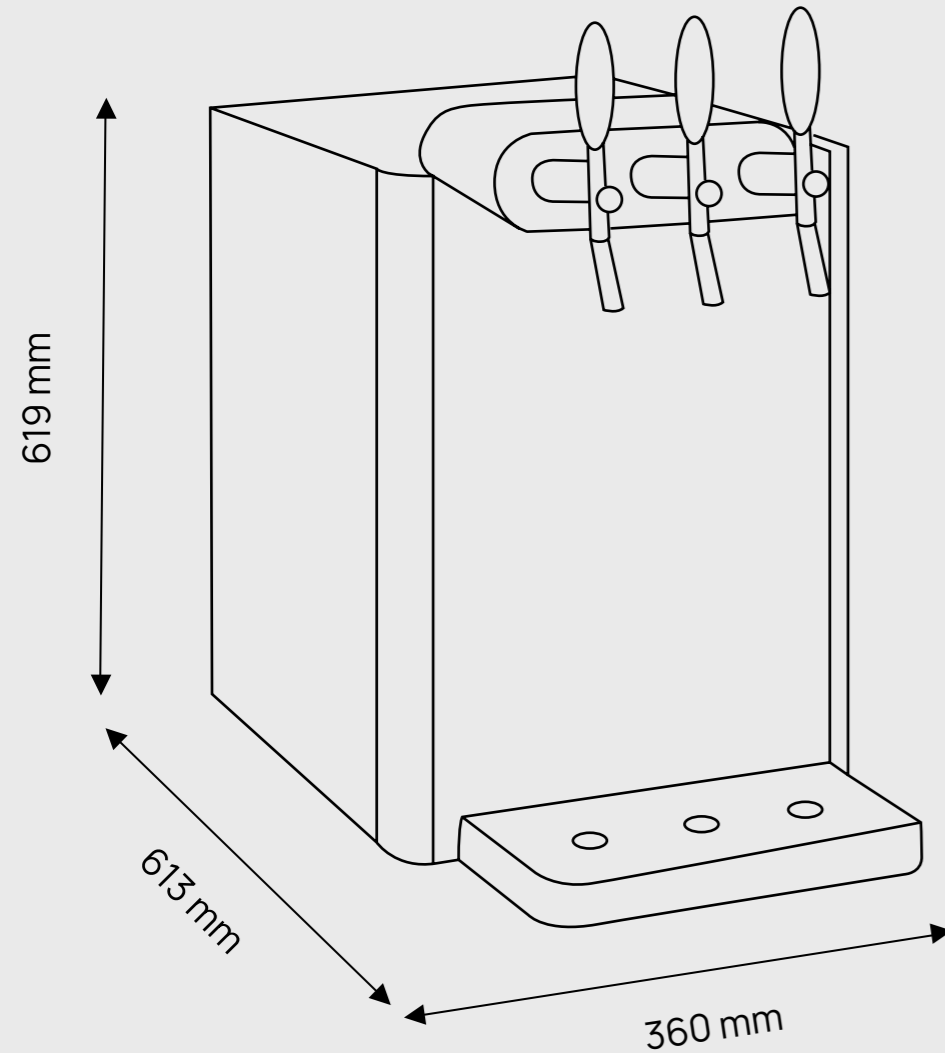
The product line uses R290, a naturally occurring refrigerant gas that does not contribute to global warming.

The coolers use professional Ice Bank technology chilling, making it a necessity in busy HORECA environments where large quantities of consistently ice-cold water are required.

It consumes up to 50% less electricity than refrigerators normally used by HORECA businesses to keep bottled water cool.



Technical specifications



Water options

Ambient	Cold	Sparkling
		

Specifications

Water Options	Cold/Ambient/Sparkling
Dimensions	360 mm (W) x 613 mm (D) x 619 mm (H)
Weight (Dry)	35Kg
Dispensing area height	392 mm
Drip tray capacity	600ml

Technology and performance

Refrigerant gas	R290
Carbonating system	Saturator
Recommended filtration	Carbon
Cooling technology	Ice bank
Volumetric dispense	No
Dispensing capacity (flow rate - ltrs/min)	2
Sparkling and cooling water capacity <12°C	80 L/h*
Target temperature - Cold Water	5°C
Max Operating pressure	3 bar
CO2 operating pressure	3 - 4 bar
Max electrical consumption	300 W

Installations requirements

Power supply	230 V - 50 Hz
Water supply	Potable Water / Min Pressure 2.5bar
CO2 Gas	Food Grade CO2 Gas
Mains waste	No
Ventilation	An air gap of 100mm is required

*The cooling capacity in L/h varies according to the inlet water temperature and room temperature. Room temperature of 25°C - Inlet water temperature of 20°C.

Culligan™

Water you love.™

