



**Mains-Fed Water Cooler**  
Under the counter

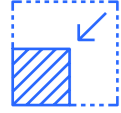
# Aquabar box

Under the counter units for a discreet yet powerful water dispensing performance

- A space-saving hydration point that efficiently provides high quality water to offices and HORECA working environments.
- Designed and made in Italy with high quality materials.
- 60 L capacity in Cold & Ambient, or Cold & Sparkling (Fizz) options.



## Product features and benefits



### Space saving high quality design

Designed and made in Italy, built with high-quality stainless steel for better look and durability.

It can be installed with any type of tap/font dispenser to meet any customer practical and aesthetic needs.

Pump protection system in case of water supply shut off.

Drip tray options:

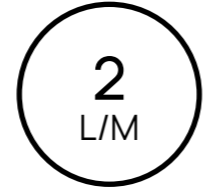
- Recessed with waste
- Surface mounted
- Tap clamp



### The best water choice

These under the counter solutions come in a 60 L/h capacity to suit all type of needs.

Choice of Cold & Ambient, or Cold & Sparkling options.



FLOW RATE



COOLING CAPACITY



### Efficient and sustainable technology

The machines use Ice Bank cooling technology for high volumes of consistently cold water, making them a necessity in busy HORECA environments, where large quantities of consistently ice-cold water are required.

The product line uses R290, a naturally occurring refrigerant gas that does not contribute to global warming.



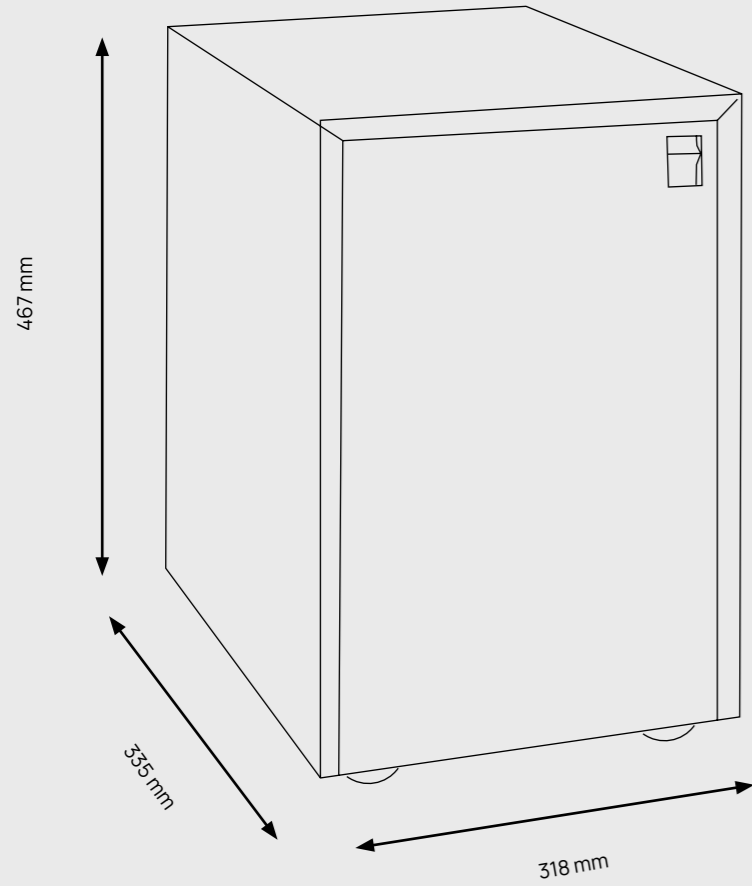
Aquabar Box 60



Aquabar Box 60 Fizz



## Technical specifications



## Water options

	Ambient	Cold	Sparkling	Hot
Box 60	💧	❄️		
Box 60 Fizz		❄️	🍹	

## Specifications

Model	Aquabar Box 60	Aquabar Box 60 Fizz
Dimensions W x D x H	318 mm x 335 mm x 467 mm	318 mm x 335 mm x 467 mm
Variant	Cold & Ambient	Cold & Sparkling
Weight	25 Kg	22 Kg

## Technology and performance

Refrigerant gas	R290	R290
Carbonating system	Saturator	Saturator
Recommended filtration	Carbon	Carbon
Cooling technology	Ice bank	Ice bank
Volumetric dispense	No	No
Dispensing capacity (flow rate - ltrs/min)	2	2
Sparkling and cooling water capacity <12°C	60 L/h*	60 L/h*
Min/max water temperature: Cold:	5 - 12°C	5 - 12°C
Operating pressure	1 - 3.5 bar	1 - 3.5 bar
CO2 operating pressure	N/A	3 - 4 bar
Max electrical consumption	300 W	300 W

## Installations requirements

Power supply	230 V - 50 Hz	230 V - 50 Hz
Water supply	Potable Water / Min Pressure 2.5bar	Potable Water / Min Pressure 2.5bar
CO2 Gas	n/a	Food Grade CO2 Gas
Mains waste	Where the drip tray is connected to external waste	Where the drip tray is connected to external waste
Ventilation	Where installed in an enclosed space this unit must have ventillation / if installed in an open space an air gap of 100mm is required.	Where installed in an enclosed space this unit must have ventillation / if installed in an open space an air gap of 100mm is required.

**Culligan**<sup>TM</sup>  
Water you love.<sup>TM</sup>

