



Mains-Fed Water Cooler
Countertop / Freestanding

C7 Firewall®

High-end bottle-free water dispenser with excellent purifying performance and stylish design, providing a superior user experience

- This advanced dispenser caters to various demanding environments, from offices to healthcare, providing up to five water varieties.
- Firewall® safely purifies water up to 99.9999% bacteria-free and 99.99% virus-free.
- Featuring coloured LCD display and offering up to 5 water types in one unit.



Product features and benefits



Cutting-edge design

High-tech features in a robust and reliable machine, designed to perform in demanding environments.

The 273 mm dispensing gap can accommodate a variety of vessels, including reusable bottles.

440 ml drip tray capacity to collect accidental spillage.

Optional base cab for additional storage capacity for filters and CO2 bottles.



Unrivaled water treatment technology

Patented Firewall® UV-C purification technology guarantees microbiologically safe water by deactivating up to 99.9999% bacteria, 99.99% viruses, and 99.9% cysts.

The innovative Ice Bath water cooling system delivers high volumes of ice-cold water, offering a consistently cold/sparkling water output.

The product line uses R600a, a naturally occurring refrigerant gas that does not contribute to global warming, in addition to offering greater energy efficiency with the use of a quieter compressor.



User-friendly and hygienic operations

The user interface, equipped with a full-color LCD display showcasing a machine status bar and a touch-enabled dial offering up to five water dispensing options, is designed to provide the best-in-class user experience.

The key plastic surfaces are infused with BioCote®, a silver ion additive that provides continuous antimicrobial protection against a broad spectrum of bacteria, mould and fungi, and reduces the risks of cross-contamination.

An on screen bottle-saver counter tracks the positive impact on the environment by counting how many 500 ml plastic bottles users have saved by using this bottle-free dispenser.

Backlit waterfall vertical indicator for accurate vessel positioning.

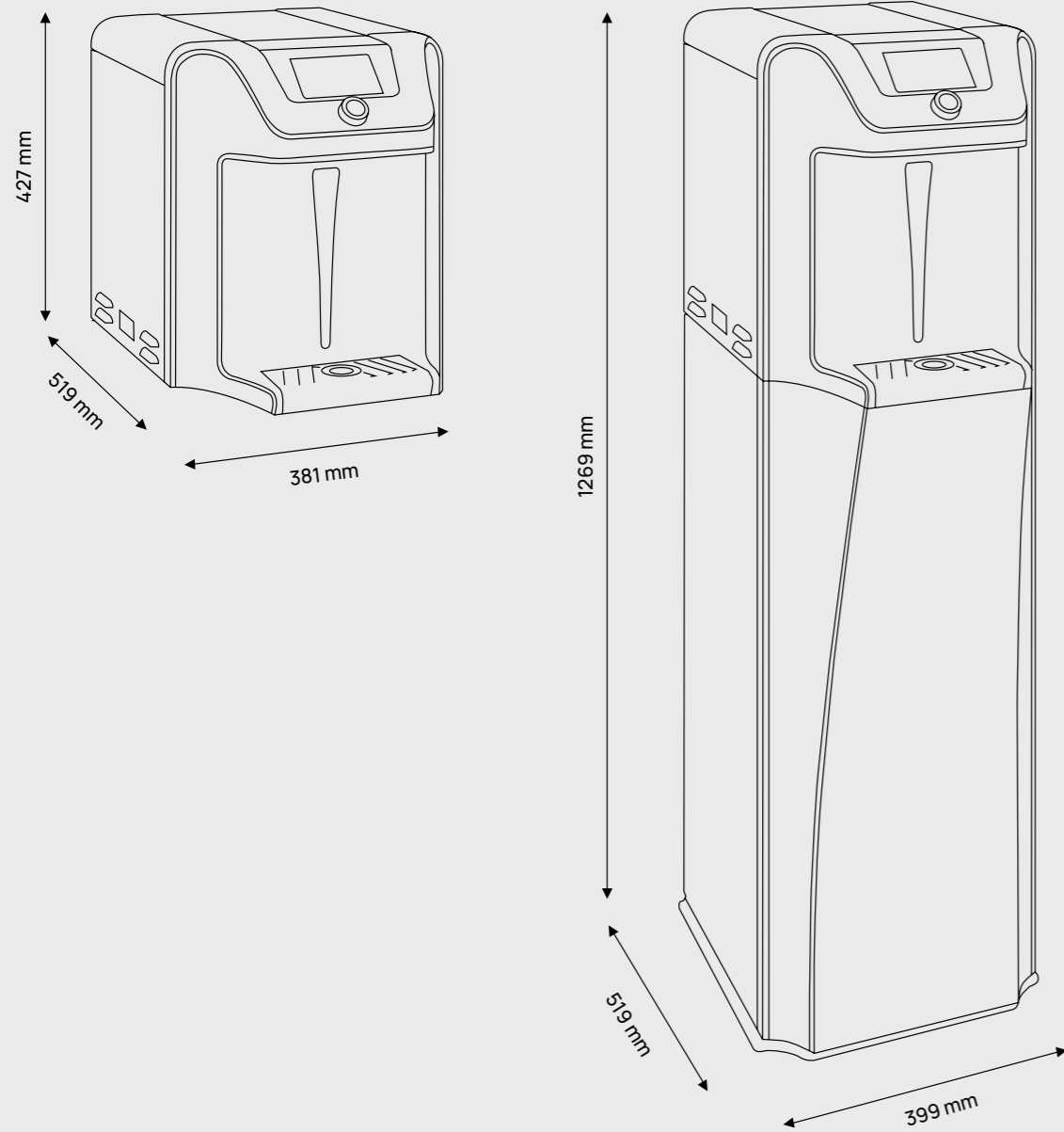
Two-steps action hot water safety mechanism can help to avoid accidental spillage.

99.9999%

Firewall® UV-C purification technology thoroughly purifies the water all the way through to the point of dispense.



Technical specifications



Water options

Ambient	Cold	Sparkling	Hot	Extra hot

Specifications

Model	Countertop	Freestanding (countertop & base)
Dimensions W x H x D	397mm x 427mm x 519mm	399mm x 1269mm x 519mm
Variants	Hot, Cold, Ambient & Sparkling	Hot, Cold, Ambient & Sparkling
Weight	34 Kg	54 Kg
Dispensing area height	273 mm	273 mm
Drip tray capacity	440 ml	440 ml
Internal waste	No	No
External waste	No	No

Technology and performance

Water purification system	Firewall® UVC technology	Firewall® UVC technology
Antimicrobial protection	BioCote®	BioCote®
Recommended filtration	Carbon Block	Carbon Block
Refrigerant gas	R600a	R600a
Cooling technology	Ice bath	Ice bath
Cold tank capacity	Coil	Coil
Hot tank capacity	1.5 L	1.5 L
Dispensing capacity (flow rate - Ltrs/min)	1.6	1.6
Target temperature - Cold Water	5°C	5°C
Target temperature - Hot Water	Hot: 87°C / Extra Hot: 92°C	Hot: 87°C / Extra Hot: 92°C
Max operating pressure	3 bar	3 bar
CO2 operating pressure	3 bar	3 bar
Max electrical consumption	993 W	993 W

Installations requirements

Power supply	220V-240V / 50Hz	220V-240V / 50Hz
Water supply	Potable Water / Min Pressure 2bar	Potable Water / Min Pressure 2bar
CO2 Gas	Food Grade CO2 Gas	Food Grade CO2 Gas
Mains waste	Not required	Not required
Ventilation	An air gap of 100mm is required	An air gap of 100mm is required

Culligan™

Water you love.™

culligan.co.uk
0333 600 1845
sales.cuk@culligan.co.uk

