

Culligan[™] | **Zip**[®]



www.culligan.ie
sales@culligan.ie

Zip HydroTap Celsius Arc

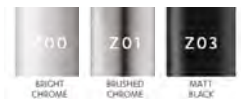
FILTERED: BOILING
UNFILTERED: HOT & COLD

If you need just one tap for everything, look no further than the HydroTap Celsius Arc. Offering you instant filtered boiling water alongside unfiltered hot and cold water for washing up, the Celsius Arc features our market-leading 0.2 micron MicroPurity filtration technology - 25 times more effective filtration than a standard water filter jug - to make it the best of any instant filtered water tap in the world. For peace of mind in the workplace, the Celsius Arc is designed to be completely safe and easy to use, with boiling water safety locks and cool touch technology. What's more, the HydroTap features superior technology to conserve water while saving energy and time.



Actual product may vary slightly depending on functionality.
The image shown is a representation only.

STANDARD



PLATINUM



MODEL	MIXED HOT AND COLD	FILTRATION 0.2 MICRON	FONT	CO ₂	NOMINAL POWER RATING KW	COMMAND CENTRE DIMENSIONS W X D X H
H58708Z00UK	Y	Y	N	N	1.9 kW @ 230V AC	280mm x 313mm x 333mm

For details of the alternative tap finishes and accessories please see the 'Accessories' section

Features and benefits

Advanced filtration

Zip MicroPurity[™] filters remove particles larger than 0.2 micron, such as dirt, lead and microplastics, as well as 97% of chlorine and 99.9% of microbiological cysts, providing pure-tasting drinking water.

Environmentally conscious operation

The HydroTap boasts a range of eco-friendly functionalities, including water conserving air cooling technology, the use of zero-impact refrigerant gas R290 and energy saving sleep modes.

Unique user-safety options

The Zip HydroTap is designed with safety in mind, with boiling isolation, cool touch tap and safety lock features. The boiling point is factory set to 98 degrees celsius, to avoid spluttering steam.

Enhanced hygiene

The 5th generation HydroTap command centre has SteriTouch[®] embedded throughout the water path. This reduces surface bacteria by 99.99% providing extra protection.

Product detail

Specification type

Product code	H58708Z00UK
Product name	HydroTap G5 Celsius Arc boiling 160 plus hot & cold bright chrome for work

Capacity, weights & dimensions

Water functions	Boiling
Boiling capacity	160 Cups per hour
Unit dimension (W x D x H)	280mm x 313mm x 333mm
Product weight - empty / full	11kg / 14kg

Plumbing

Wholesome water inlet supply required	Hot & Cold Feed
Supply pressure range	1.7bar - 5bar
Supply connection (hot & cold)	1 x isolated 1/2" BSP BSP fitting (flexible supply hoses included)
Installation	Must comply with current water supply regulations

The minimum water pressure will vary if a limescale filter is installed. Please contact us to discuss your requirements.

Electrical

Command centre power rating	1.9 kW @ 230V AC
Voltage supply	13 amps
Power supply requirements	1 x 13amp socket outlet
Cable length	1.8m fitted with UK standard 3-pin plug
Installation	Must comply with current IEE regulations

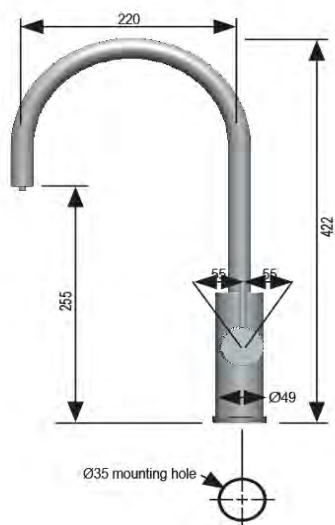
Tap design

Style	HydroTap Celsius Arc
Finish	Bright Chrome
Installation hole cut size	35mm
Rotation	180 degree
Disability options	No
Country of Origin	Australia

Command centre

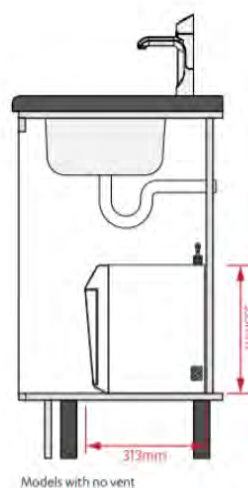
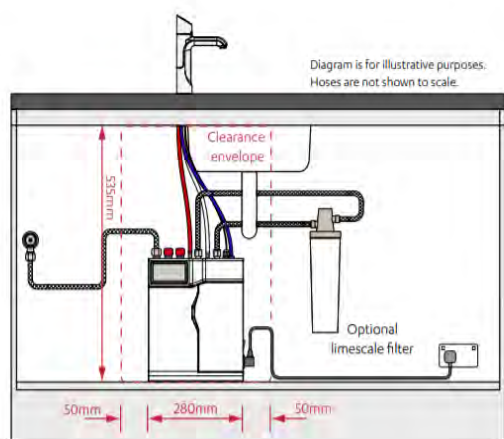
Factory temperature boiling	98°C
Filtration	0.2 Micron Filter Cartridge
Flow rate	4 l/min
Wholesome water supply requirements	Hot & Cold Feed
Tank material	Stainless Steel
Country of origin	Australia

Tap installation



Under-counter unit installation

Clearance space required
for under counter unit



Accessories

Image

SKU

Title



FL500 KIT

Limescale prevention filter kit 3,750 litres



FL1000 KIT

Limescale prevention filter kit 7,000 litres



FL1500 KIT

Limescale prevention filter kit 10,000 litres



FL2000 KIT

Limescale prevention filter kit 16,500 litres



91295

CO2 Replacement cylinders 2 x 1.2kg
